

# Manual Adhesive Dispenser Instructions

**Applicable Parts:** CB100, CB200-40, CB250-50, CB359-50, CB420-50, CB11, CB21, CB81, CB106

### Safety First

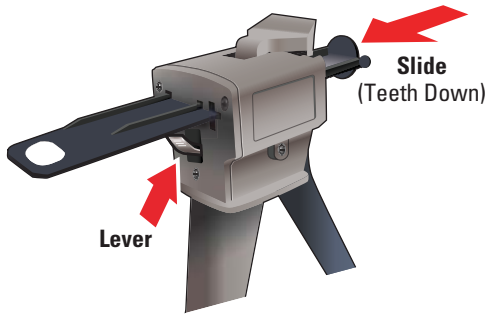
When using solvents and adhesives, follow appropriate safety precautions. These include use of personal protection equipment (gloves & protective eye wear) and adequate ventilation. Refer to MSDS/SDS for complete information. Read all instructions before starting work.

## Step 1 Insert Slide

- Lift slide release lever and push dispenser slide completely into handle (teeth facing down).

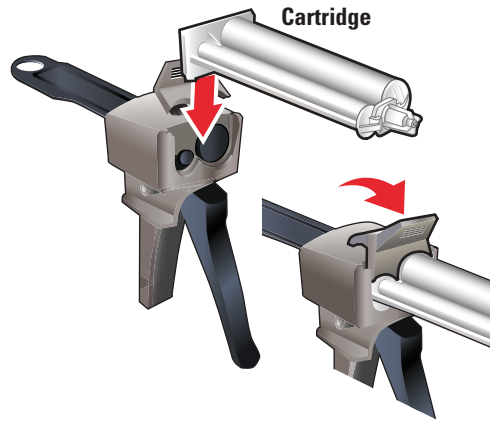
Use the following adhesive cartridge and dispenser slide combinations:

Cartridge	Slide	Cartridge	Slide
CB200-40	CB81	CB359-50	CB21
CB250-50	CB11	CB420-50	CB81



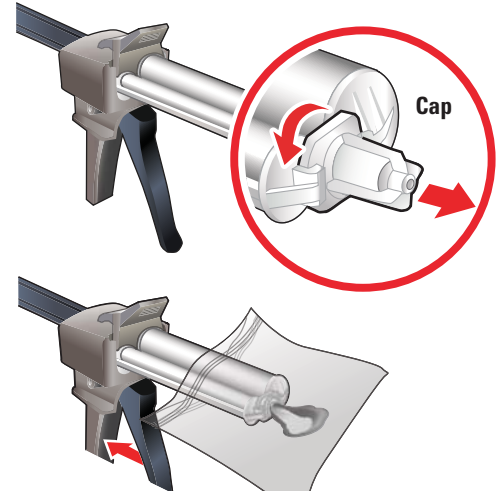
## Step 2 Insert Cartridge

- Check adhesive expiration date—discard expired adhesive.
- Remove black protective clip on back of cartridge, if present.
- Insert adhesive cartridge into slot and lower retainer to lock in place.



## Step 3 Remove End Cap & Check

- Remove cap—turn counterclockwise.
- Squeeze trigger slowly to dispense a **small** amount of adhesive into plastic packaging bag. Check that both components flow from cartridge.
- Knead components through bag wall. Check that each component has an even color and consistency.

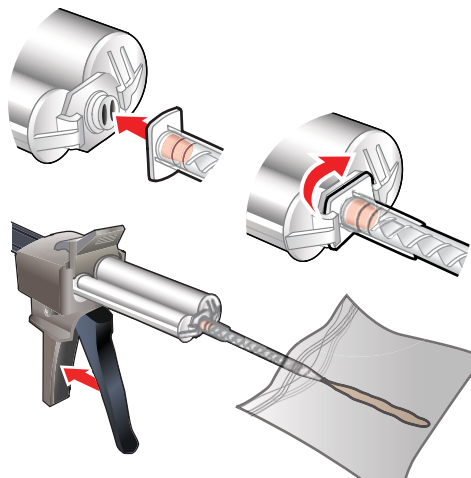


## Step 4 Attach Mixing Tip & Check

- Attach mixing tip—turn clockwise to lock in place.

**Tip:** Only use CB106 mixing tip.

- Squeeze trigger slowly to dispense a bead of adhesive, about the length of the mixing tip, into plastic packaging bag. Check that adhesive mixes consistently.



## Step 5 Apply

- Squeeze trigger slowly to dispense adhesive. Refer to appropriate fastener installation instructions for specific application details. See adhesive working, handling, and cure times below.

**Caution:** If working time is exceeded, purge partially cured adhesive from mixing tip. Do not apply excessive force to dispense. If adhesive cures in mixing tip, replace with new tip (do not cut).

Adhesive	Working Time	Handling Strength	Full Cure
CB200-40	5 min	30 min	24 hrs
CB250-50	5 min	30 min	24 hrs
CB359-50	60 min*	24 hrs*	7 days*
CB420-50	5 min	20 min	24 hrs

\* Accelerated Full Cure: 1 hr at 180°F (82°C).

**Note:** All times measured at 75°F (24°C) and are significantly affected by temperature. Refer to adhesive data sheet for more details.

## Step 6 Finish

- Lift slide release lever and pull back dispenser slide to relieve pressure on cartridge.
- Lift retainer and remove cartridge from dispenser—leave mixing tip in place or replace cap.
- To use remaining adhesive, attach new mixing tip.

