

## EP-2940 WAVEFORM CORRECTOR

### THE EP-2940 FEATURES AND BENEFITS:

- Provides 80kA to 320kA per mode single-pulse surge current
- Integrated Dissipation Technology. Energy is absorbed and dissipated within the unit, not shunted to the ground.
- Active Sine Wave tracking filter
- No additive harmonic distortion
- Patented technology of the 2900F module provides industry-superior filter performance\*
- Patented System protection slows dangerous transient rise times starting at 200 Hz with greater than -40dB at 45kHz to 250 kHz
- Reacts to transients in nanoseconds
- Fail Safe OPEN - Meets new UL 1449 3rd edition Feb 2010
- Status LED Indicators
- Remote Relay Option (both NC & NO contacts)
- Audible Alarm Option
- Top and Bottom feed
- Dual Display Surge Counters Option (Fixed / Resettable)
- 10 -Year Warranty



\* US Patent Number: D456, 354S  
 Japan Patent Number: 3721146  
 China Patent Number: ZL 02 1 42011.4

Korean Patent Number: 525,315  
 Canadian Patent Number: 2,393,870  
 Taiwan Patent Number: 180,180

### EP-2940 GENERAL SPECIFICATIONS

**MAX SURGE CURRENT RATING:** 320 kA per mode  
**REPETITIVE SURGE CURRENT RATING:** 5000 impulses using IEEE C62.41  
**PRODUCT DESIGN:** Patented Parallel Design with waveform correction absorber and fused MOV. Patent #6,486,570.  
**OPERATING FREQUENCY:** 45 - 65 Hz  
**WARRANTY:** 10 Years  
**LISTING:** UL 1449 3rd Edition effective 2/2010 Type 1 & Type 2 SPD  
 CSA Standards Class 9091 01 & 9091 81; CSA std. c22.2 No. 8-M1986  
**SAFETY:** Fire Rating 94V-0  
**COMPLIANCE:** NEMA LS-1, NEC Surge Suppression Standards, Electrical Notice 516

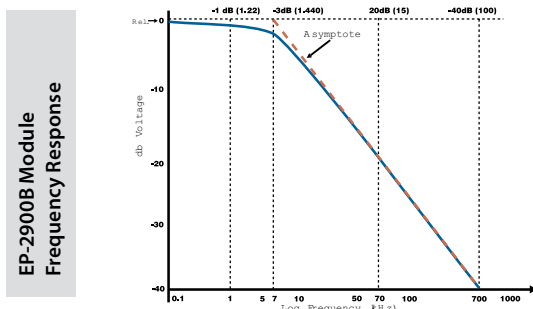
### EP-2940 ELECTRICAL SPECIFICATIONS

**CONNECTION METHOD:** Parallel  
**PROTECTION MODES:** L-N, L-L  
**CONTRACTOR SUPPLIED WIRE:** 2 AWG Wire  
**INTEGRATED FUSEABLE DISCONNECT:** 30 A, 200 kaic  
**STATUS INDICATORS:** Local and Remote LED Option  
**DRY CONTACTS:** Form C NC & NO 250V 10A  
**EMI/RFI FILTER ATTENUATION:** MIL Standard 220B

The EP-2940 can hold up to four modules plus ground filter and alarm. Four-base module provides 320kA protection.

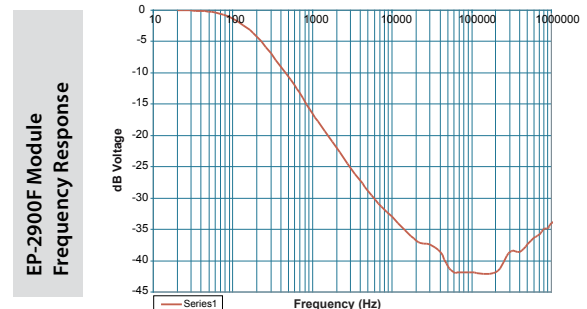
### EP-2900B MODULE

- 80kA single impulse surge current
- Integrated filter with sine wave tracking
- Integrated dissipation technology



### EP-2900F MODULE

- Patented technology provides industry-superior filter performance
- Protected by mandatory base module for consistent filtering
- Integrated dissipation technology



# EP-2940 WAVEFORM CORRECTOR

## EP-2940 PRODUCT ORDERING GUIDELINES

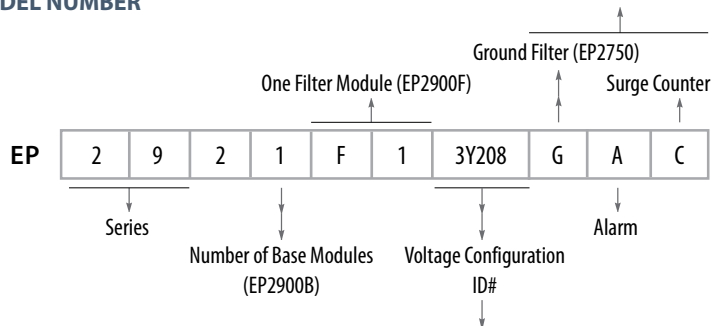
### CASE SIZE REFERENCE

2 (24 x 16 x 8")  
**4 (24 x 16 x 8")**  
 8 (24 x 24 x 12")

### OPTIONS AVAILABLE

**G** - 2750 Ground Filter  
**A** - Alarm Relay Dry Contact  
 (NO / NC) & Audible Alarm  
**C** - Dual Display Surge Counters

### MODEL NUMBER



### VOLTAGE CONFIGURATIONS

SYSTEM VOLTAGE	PROTECT MODE	SYSTEM CONFIGURATION	VOLTAGE ID#	MCOV	SVR
1 Phase 120V	L-N	2 Wire + G	1P120	150 V	395
1 Phase 240V	L-N	2 Wire + G	1P240	300 V	775
Split Phase 120/240	L-N	3 Wire + G	1S240	150 V	395
	L-L			300 V	775
3 Phase 120/208	L-N	4 Wire + G	3Y208	150 V	395
	L-L			300 V	395
3 Phase 277/480	L-N	4 Wire + G	3Y480	360 V	910
	L-L			720 V	910
3 Phase 347/600	L-N	4 Wire + G	3Y600	420 V	1120
	L-L			840 V	1120
3 Phase 120/240	L-N	4 Wire + G High Leg	3H240	150 V	395
	L-L			300 V	775
3 Phase 480V	L-L	3 Wire + G	3D480	575 V	1570
3 Phase 600V	L-L	3 Wire + G	3D600	750 V	1980

### MECHANICAL SPECIFICATIONS

<b>DIMENSIONS</b>	12 x 18 x 10 inch 30.5 x 45.7 x 25.4 cm
<b>STANDARD WEIGHT</b>	50 lbs. / 22.68 Kg
<b>MAXIMUM WEIGHT</b>	66 lbs. / 29.94 Kg
<b>ENCLOSURE</b>	NEMA 4x, 12, Painted Steel
<b>OPERATING TEMPERATURE</b>	-40F to 140F -40C to +60C
<b>NON-CONDENSING HUMIDITY</b>	5% to 95%

