

EP-2820 WAVEFORM CORRECTOR

THE EP-2820 FEATURES AND BENEFITS:

- Provides 80kA to 160kA per mode single-pulse surge current
- Integrated Dissipation Technology. Energy is absorbed and dissipated within the unit, not shunted to the ground.
- Active Sine Wave tracking filter
- No additive harmonic distortion
- Patented technology of the 2800F module provides industry-superior filter performance*
- Patented system protection slows dangerous transient rise times starting at 200 Hz with greater than -40dB at 45kHz to 250 kHz
- Reacts to transient in nanoseconds
- Fail Safe OPEN - Meets new UL 1449 3rd edition Feb 2010
- Status LED Indicators
- Top and Bottom feed
- 10 –Year Warranty



* US Patent Number: D456, 354S
 Japan Patent Number: 3721146
 China Patent Number: ZL 02 1 42011.4

Korean Patent Number: 525,315
 Canadian Patent Number: 2,393,870
 Taiwan Patent Number: 180,180

EP-2820 GENERAL SPECIFICATIONS

MAX SURGE CURRENT RATING: 80 kA per mode
REPETITIVE SURGE CURRENT RATING: 5000 impulses using IEEE C62.41
PRODUCT DESIGN: Patented Parellel Design with waveform correction absorber and fused MOV
OPERATING FREQUENCY: 45 - 65 Hz
WARRANTY: 10 Years
LISTING: UL 1449 3rd Edition effective 2/2010 Type 1 & Type 2 SPD
 CSA Standards Class 9091 01 & 9091 81; CSA std. c22.2 No. 8-M1986
SAFETY: Fire Rating 94V-0
COMPLIANCE: NEMA LS-1, NEC Surge Suppression Standards, Electrical Notice 516

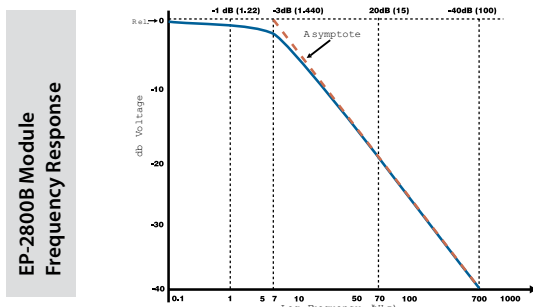
EP-2820 ELECTRICAL SPECIFICATIONS

CONNECTION METHOD: Parallel
PROTECTION MODES: L-N, L-L
CONTRACTOR SUPPLIED WIRE: 2 AWG Wire
INTEGRATED FUSEABLE DISCONNECT: 30 A, 200 kaic
STATUS INDICATORS: Local and Remote LED
EMI/RFI FILTER ATTENUATION: MIL Standard 220B

The EP-2820 can hold up to two modules plus ground filter. Two base module provides 160kA protection.

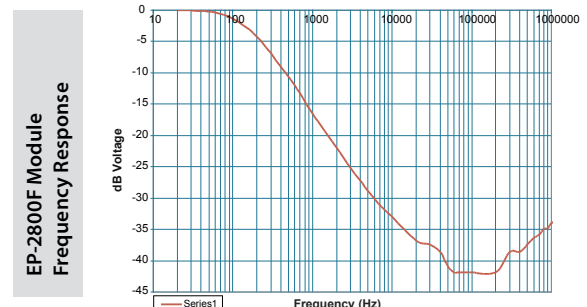
EP-2800B MODULE

- 80kA single impulse surge current
- Integrated filter with sine wave tracking
- Integrated dissipation technology



EP-2800F MODULE

- Patented technology provides industry-superior filter performance
- Protected by mandatory base module for consistent filtering
- Integrated dissipation technology



EP-2820 WAVEFORM CORRECTOR

EP-2820 PRODUCT ORDERING GUIDELINES

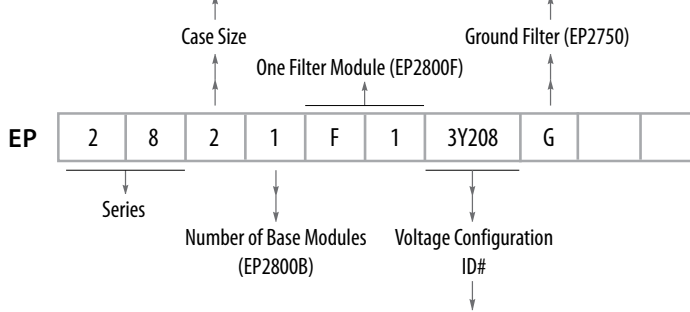
CASE SIZE REFERENCE

2 (12 x 14 x 8")
 4 (24 x 16 x 8")
 8 (24 x 24 x 12")

OPTIONS AVAILABLE

G - 2750 Ground Filter

MODEL NUMBER



VOLTAGE CONFIGURATIONS

SYSTEM VOLTAGE	PROTECT MODE	SYSTEM CONFIGURATION	VOLTAGE ID#	MCOV	SVR
1 Phase 120V	L-N	2 Wire + G	1P120	150 V	395
1 Phase 240V	L-N	2 Wire + G	1P240	300 V	775
Split Phase 120/240	L-N L-L	3 Wire + G	1S240	150 V 300 V	395 775
3 Phase 120/208	L-N L-L	4 Wire + G	3Y208	150 V 300 V	395
3 Phase 277/480	L-N L-L	4 Wire + G	3Y480	360 V 720 V	910
3 Phase 347/600	L-N L-L	4 Wire + G	3Y600	420 V 840 V	1120
3 Phase 120/240	L-N L-L	4 Wire + G High Leg	3H240	150 V 300 V	395 775
3 Phase 480V	L-L	3 Wire + G	3D480	575 V	1570
3 Phase 600V	L-L	3 Wire + G	3D600	750 V	1980

MECHANICAL SPECIFICATIONS

DIMENSIONS	12 x 14 x 8 inch 30.5 x 35.6 x 20.3 cm
STANDARD WEIGHT	24 lbs. / 10.89 Kg
MAXIMUM WEIGHT	30 lbs. / 13.61 Kg
ENCLOSURE	NEMA 4x, 12, Painted Steel
OPERATING TEMPERATURE	-40F to 140F -40C to +60C
NON-CONDENSING HUMIDITY	5% to 95%

